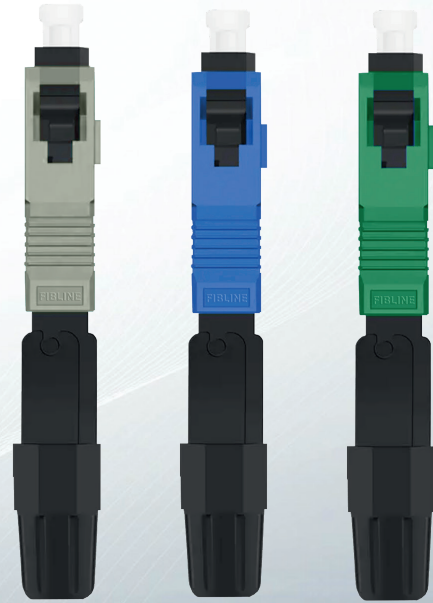


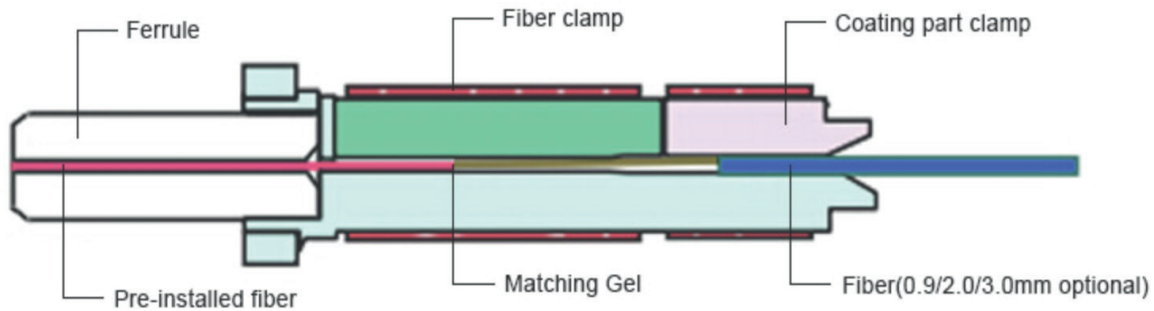
FAST CONNECTOR

APPLICATIONS

CATV, CCTV, FTTX, FTTH, Telecommunication Networks,
Active Device Termination, Local Area Networks (LANs),
Video, Data Processing Networks
Wide Area Networks(WANs)
Premise Installations
Industrial and Medical



DATASHEET

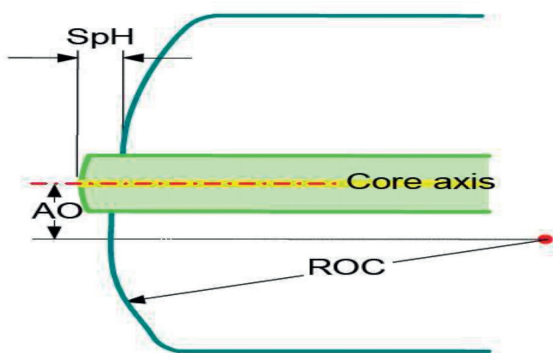


ITEMS	TEST COMDITION	VALUE
OPTICAL PERFORMANCE	Insertion Loss (1310nm&1550nm)	<0.2dB(typical) /0.3dB (Max)
	Return Loss (1310nm&1550nm)	UPC ≥50 dB - APC≥60 dB
Environmental Performance (Max. Insertion Loss Change)	Temperature cycle -40 ° ~ +75 ° (96 hours)	<0.3dB
Mechanical Performance (Max. Insertion Loss Change)	Online tension 20N- 10N	<0.3dB
	Impection3 axis/3times 4m high	<0.3dB
	Repeated operation times	5

General Features

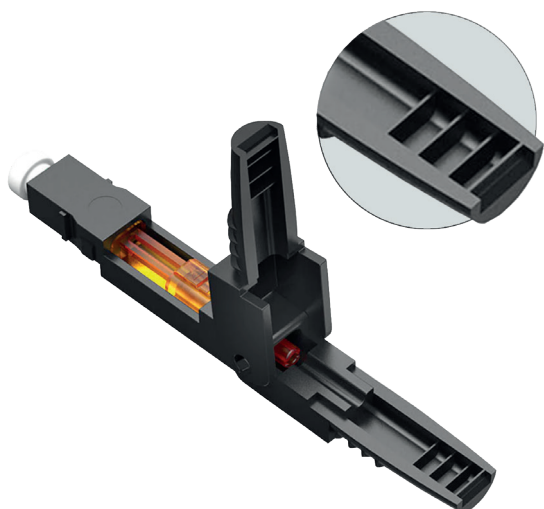
Connector Type	SC (PC or UPC)	LC (PC or UPC)	SC/APC	LC/APC
Insertion Loss	0,2 dB	0,2 dB	0,2 dB	0,1 dB
Reflection Loss	≥ -50 dB	≥ -50 dB	≥ -60 dB	≥ -60 dB
Operating Temperature	-40°C / +75°C	-40°C / +75°C	-40°C / +75°C	- 40°C / +75°C
Storage Temperature	-40°C / +85°C	-40°C / +85°C	-40°C / +85°C	-40°C / +85°C
Ferrule	Zirconia Ceramic	Zirconia Ceramic	Zirconia Ceramic	Zirconia Ceramic
Alignment Sleeve	Zirconia Ceramic	Zirconia Ceramic	Zirconia Ceramic	Zirconia Ceramic
Flame Retardent	UL – 94 V-O	UL – 94 V-O	UL – 94 V-O	UL – 94 V-O
Durability	Mating cycles > 1000	Mating cycles > 1000	Mating cycles > 1000	Mating cycles > 1000
Color	Blue	Blue	Green	Green

Surface Geometric Features



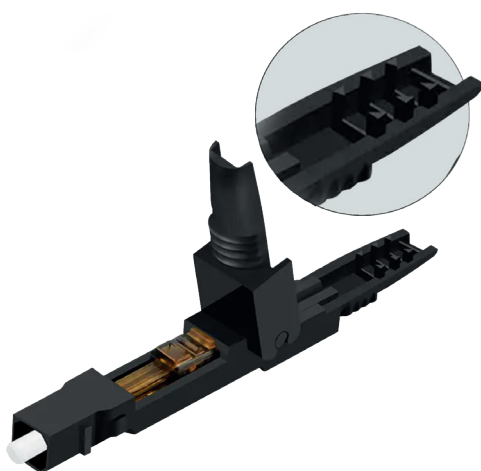
Specifications	Value Provided
Radius Of Curvature(R) mm	10
Apex Offset (AO) μ m	0
Spherical Fiber Height (SpH) nm	$-50 \leq \text{SpH} \leq 50$

C TYPE Series



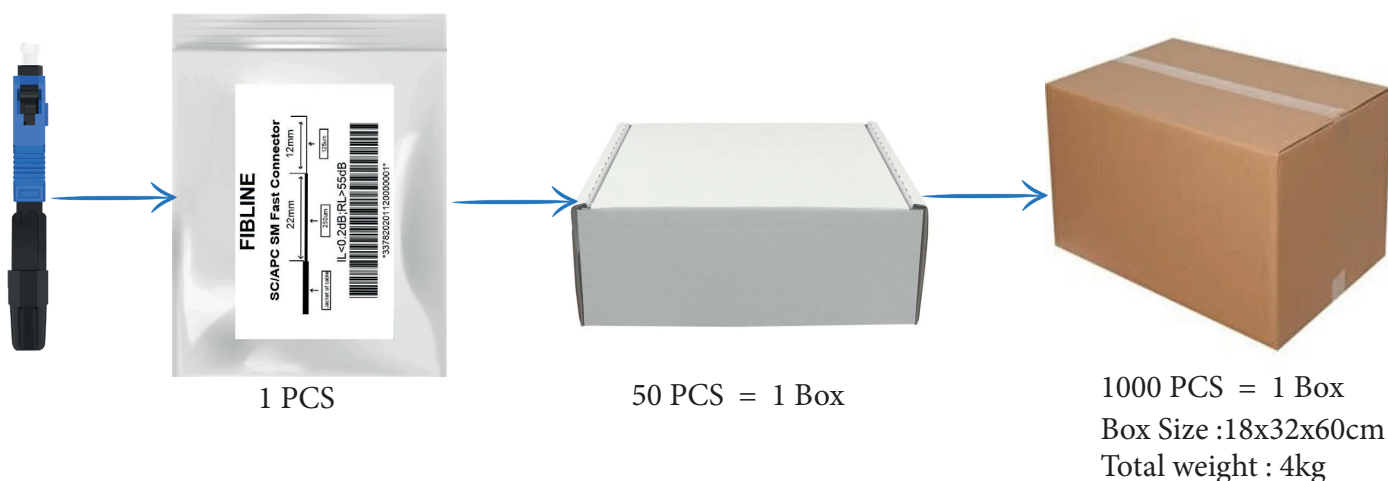
Product	Product Order Code
SC/APC Single Mode	FO-0302SMA353QC
SC/UPC Single Mode	FO-0302SMU353QC
SC Multi Mode	FO-0302MMU353QC

D TYPE Series

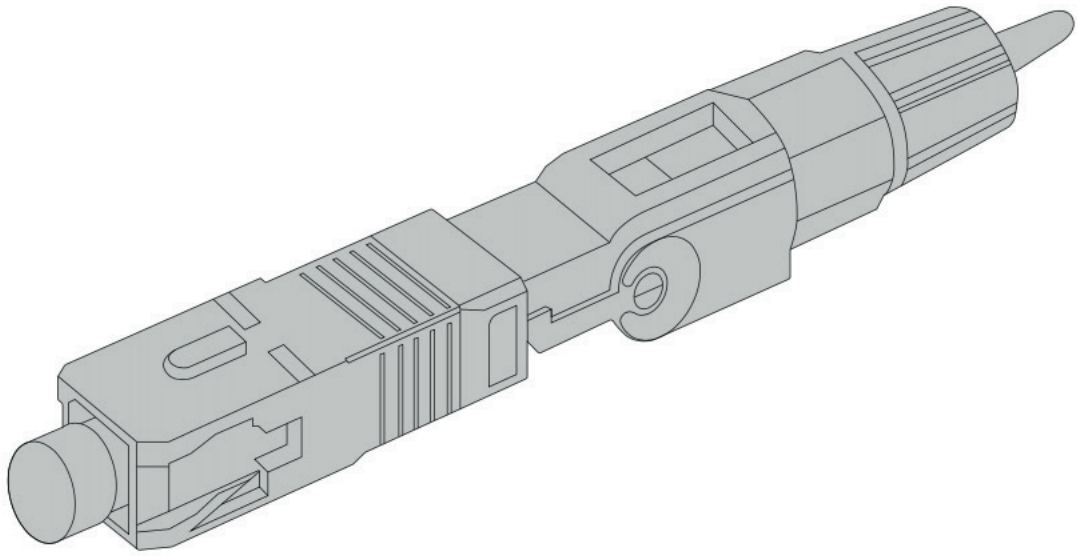


Product	Product Order Code
SC/APC Single Mode	FO-0302SMA353QD
SC/UPC Single Mode	FO-0302SMU353QD
SC Multi Mode	FO-0302MMU353QD

Packet



SC UPC/APC FIELD FAST CONNECTORS



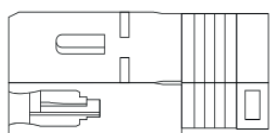
Quick Start Guide

V 2.3

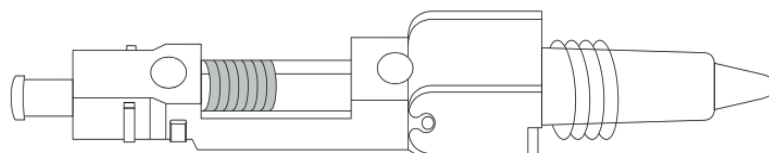
Copyright © 2023 FIBLINE All Rights Reserved.

1

Product View



SC housing



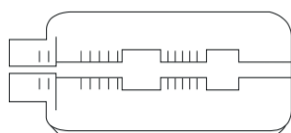
Fast connector



Screw cap

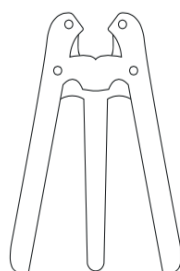
2

Accessories



1X

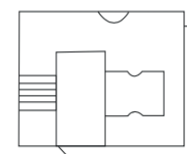
Optional (Not Included)



1X

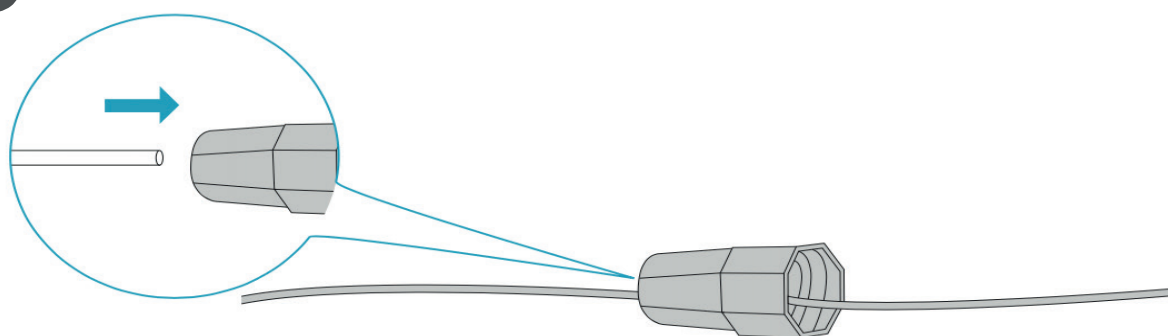


1X

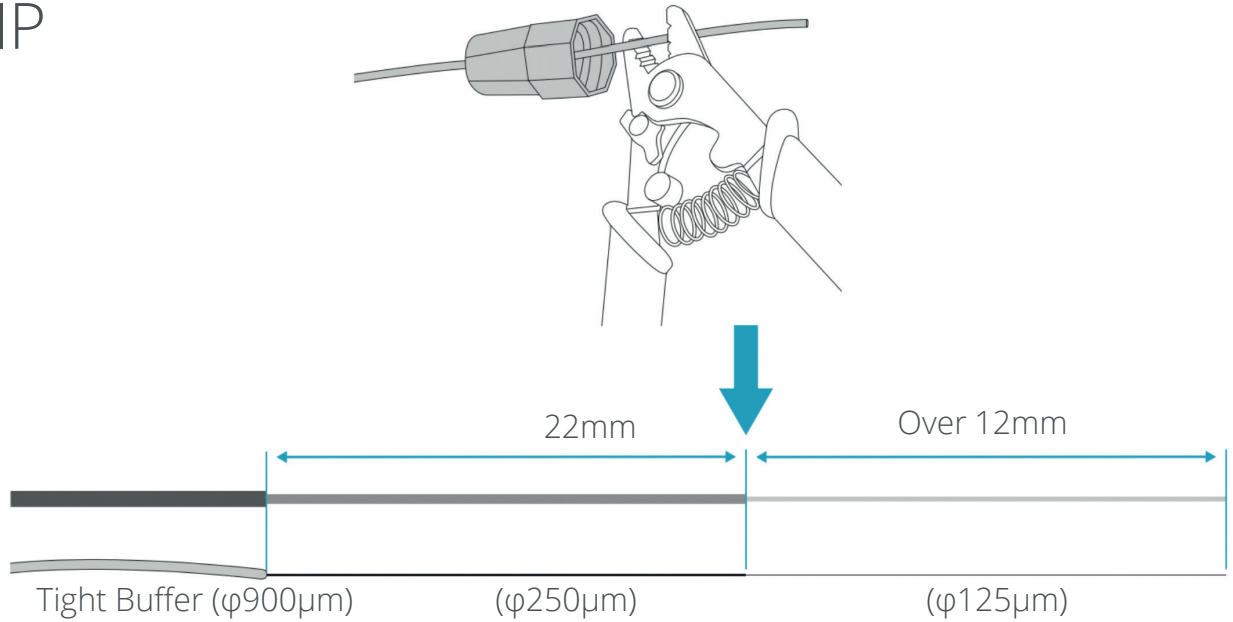


1X

3



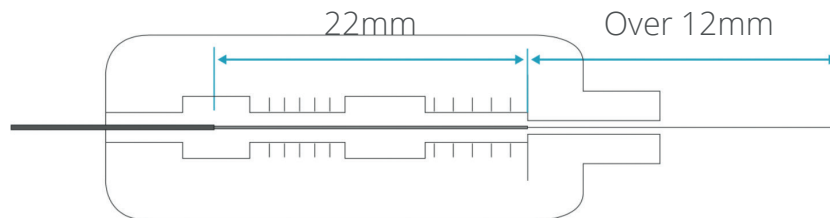
4 STRIP



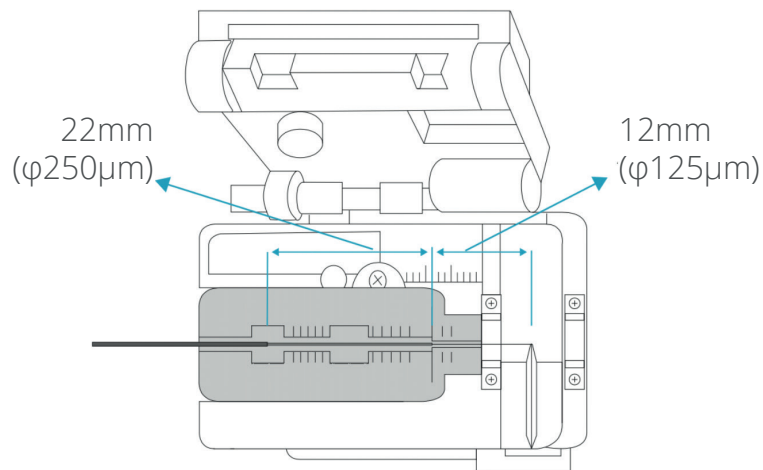
NOTE:

1. Strip off the 900 μ m tight buffer to 250 μ m and 125 μ m as shown above.
2. Clean the fiber after stripping.

5



Length Fixed Instrument

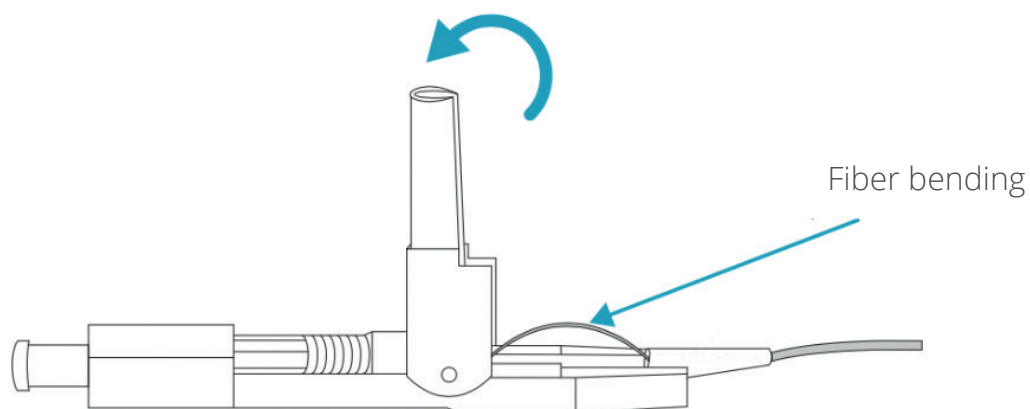


Cleave

NOTE:

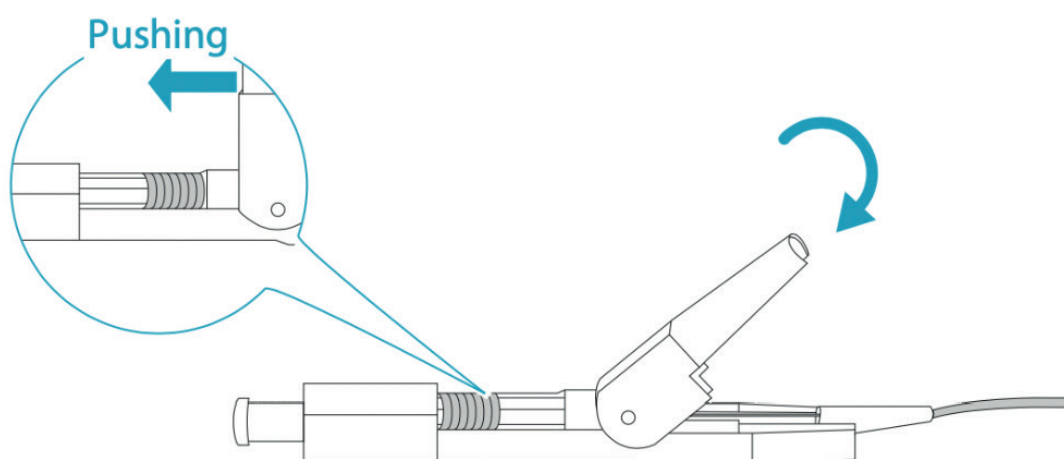
Cut the bare fiber of 125 μ m to be 12mm with a cleaver and check the length.

6

**NOTE:**

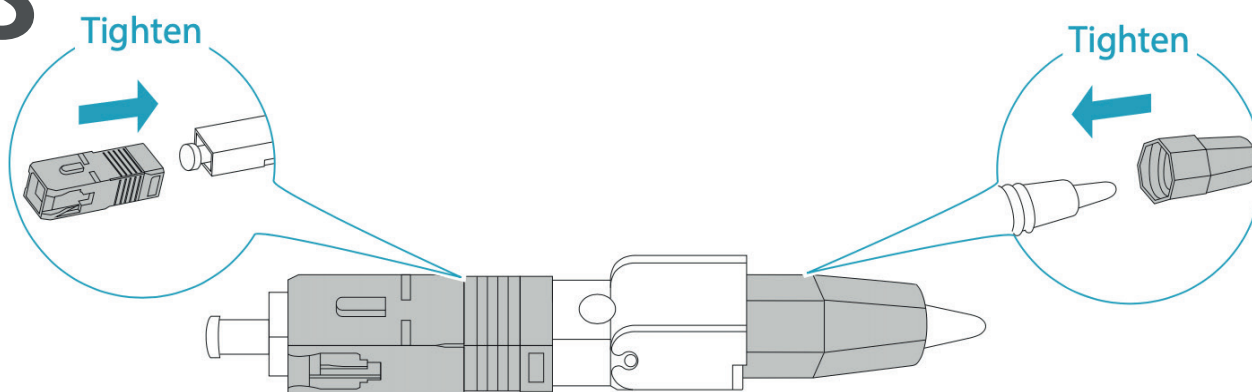
Do not break the fiber.

7

**NOTE:**

1. Push the yellow cover towards the top to lock the fiber.
2. If you need to reassemble the fiber, pull the yellow cover in reverse with procedure 7. Then pull out the fiber and reassemble.

8

**NOTE:**

Tighten the housing and the screw cap, then the fiber cannot be reassembled.