

# MTP®/MPO Trunk Cables Datasheet

## IDEAL FOR DATA CENTER HIGH DENSITY CABLING SYSTEM

Designed for data center applications requiring quick infrastructure deployment such as main, horizontal, and zone distribution areas.



### MTP®/MPO Trunk Cables

Fiber optic patch cables are ideal for supporting high speed telecommunication network fiber applications. They are manufactured and tested in compliance with TIA 604 (FOCIS), IEC 61754 and YD/T industry standards. OM1, OM2, OM3, OM4, OM5 or OS2 fiber types are available to meet the demand of Gigabit Ethernet, 10 Gigabit Ethernet and high speed Fiber Channel. Every termination is through rigorous parameter test to ensure the highest network performance.

### Standards Compliance

- RoHS, CE (EN 50575 CPR), ISO9001 and WEEE Compliant
- EIA/TIA, Telecordia GR-326-CORE Standards
- IEC61754-7
- TIA 605-4 (FOCIS 5)
- YD/T1272.5

### Features

- US Conec MTP® connector, Senko MPO Plus® premium connector
- SMF-28® Ultra optical fiber, Corning Clearcurve® OM3/OM4 fiber, YOFC Max-band® OM5 fiber
- OS2, OM3, OM4, OM5 available
- 0.35dB elite low loss connector
- Factory terminated and tested
- Allow easy migration from 10GbE to 40GbE or 100GbE
- Pulling eyes are provided as an option to protect the fiber ends during installation

MTP®/MPO TRUNK CABLES DATASHEET

Construction	Description
Fiber Count	8-144 Fibers
Fiber Mode	Single mode: OS2 9/125µm Multimode: OM3/OM4/OM5 50/125µm
Fiber Brand	OS2: SMF-28® Ultra optical fiber OM3/OM4: Corning ClearCurve® fiber OM5: YOFC Maxband® fiber
Connector Type	MTP® Female, Male; MPO Female, Male
Connector Brand	US Conec MTP®, Senko MPO Plus®
Polarity	Type A, Type B, Type C
Cable Jacket Ratings	Plenum (OFNP) Low Smoke Zero Halogen (LSZH) Riser (PVC)
Cable Type	Bunch

Color Codes	MTP®	MPO
Cable Jackets	OS2: Yellow OM3: Aqua OM4: Magenta OM5: Lime Green	OS2: Yellow OM3: Aqua OM4: Magenta OM5: Lime Green
Connectors	OS2: Green OM3/OM4: Aqua OM5: Lime Green	OS2: Green OM3/OM4: Aqua OM5: Lime Green
Boots	8 Fibers: Grey 12 Fibers: Black 24 Fibers: Red	8/12/24 Fibers: Black

## MTP®/MPO TRUNK CABLES DATASHEET

## Technical Specification

Physical Properties	Description
Cable Diameter	3.0mm
Breakout Length	0.5/0.3m
Minimum Bend Radius	Single Mode: 10.0mm, Multimode: 7.5mm
Operating Temperature	-10°C to +70°C
Storage Temperature	-40°C to +85°C

\* Please kindly note that the cable diameter of standard single MTP®/MPO cable is 3.0mm, and as for cables with different bundles, the trunk diameter is different, as shown below.

Bundle Count	MTP®/MPO-12	MTP®/MPO-24	Trunk Diameter
2 Bundles	24 Fibers	48 Fibers	7.2mm
3 Bundles	36 Fibers	72 Fibers	9.3mm
4 Bundles	48 Fibers	96 Fibers	9.5mm
6 Bundles	72 Fibers	144 Fibers	11.7mm
8 Bundles	96 Fibers	/	12.01mm
12 Bundles	144 Fibers	/	17.3mm

\* The "bundle" means a combination of several fibers. For example, as for MTP®/MPO-12 cables, 2 bundles mean 24 Fibers (2x 12F); for MTP®/MPO-24 cables, 2 bundles mean 48 Fibers (2x 24F).

## Technical Specification

Optical Properties	Description
Attenuation (dB/km)	3.0mm
Insertion Loss (dB)	0.5/0.3m
Return Loss (dB)	Single Mode: 10.0mm, Multimode: 7.5mm
Wavelength (nm)	-10°C to +70°C

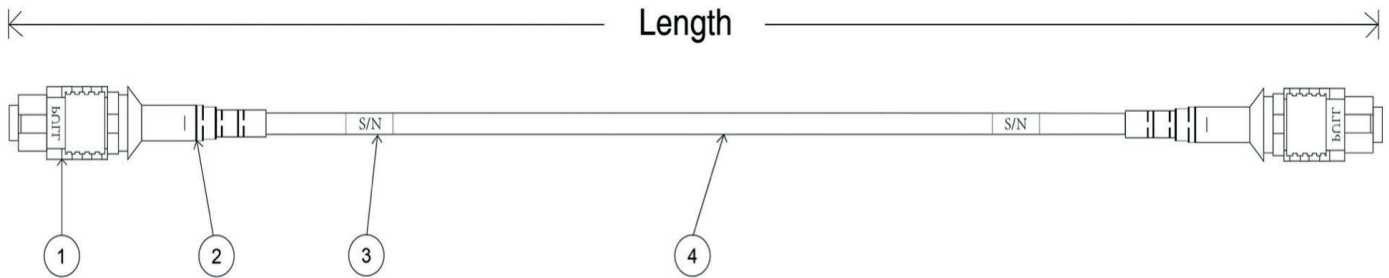
## Transmission Distance

Multimode fiber backbone cabling distances for 10 Gbps, 40 Gbps, and 100 Gbps applications.

Bundle Count	Standard Specified Max. Distance		
	OM3	OM4	OM5
10GBASE-SR (850nm)	300m (984ft)	400m (1312ft)	300m (984ft)
40GBASE-SR4	100m (328ft)	150m (492ft)	150m (492ft)
40GBiDi	100m (328ft)	150m (492ft)	200m (689ft)
40GBASE-eSR4	300m (984ft)	400m (1312ft)	400m (1312ft)
40G SWDM4	240m (787ft)	350m (1148ft)	440m (1444ft)
100GBASE-SR10	100m (328ft)	150m (492ft)	150m (492ft)
100GBASE-SR4	70m (230ft)	100m (328ft)	100m (328ft)
100GBASE-eSR4	200m (689ft)	300m (984ft)	300m (984ft)
100G SWDM4	75m (246ft)	100m (328ft)	150m (492ft)

MTP®/MPO TRUNK CABLES DATASHEET

# Technical Drawing

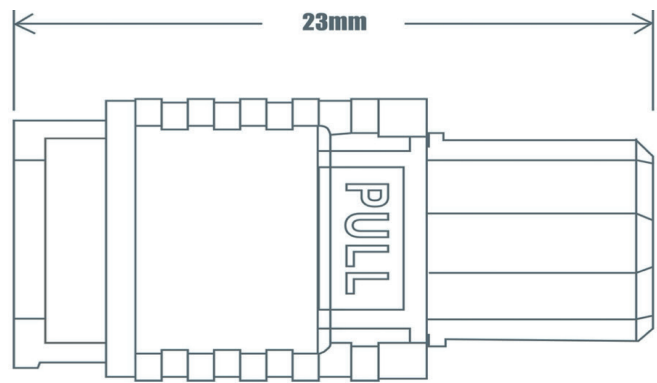
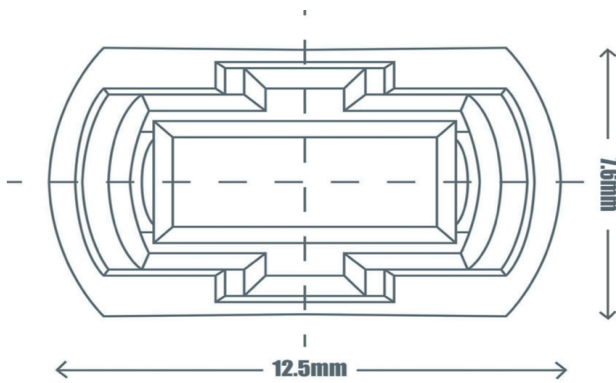


① MTP®/MPO Connector

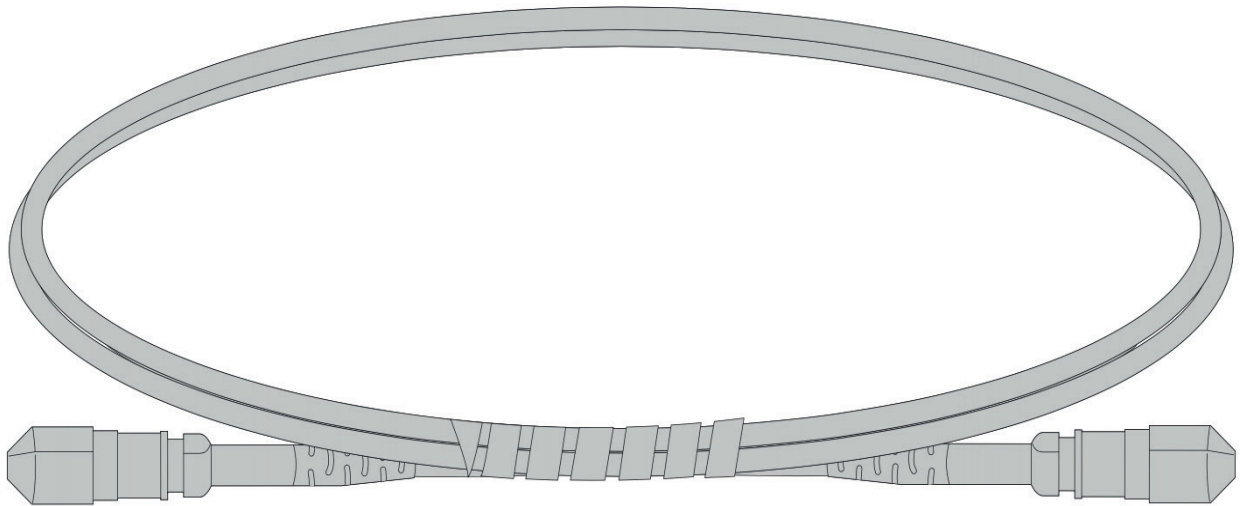
② Connector Boot

③ Serial Number Label

④ Cable Jacket 3.0mm OD



# MTP®/MPO FIBER CABLES

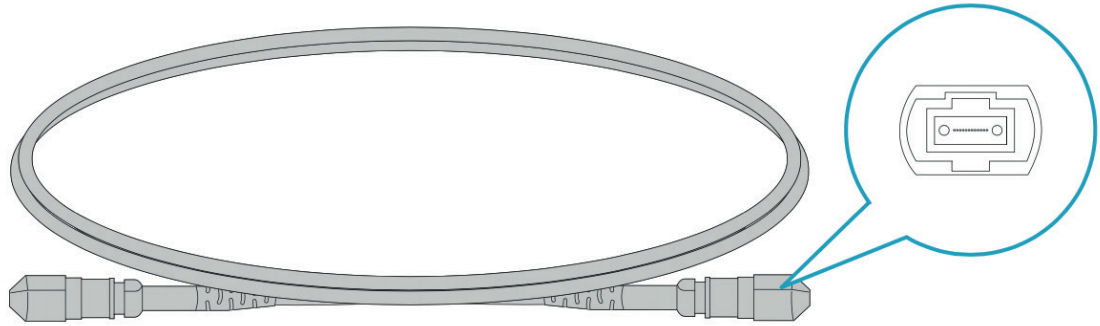


## Quick Start Guide

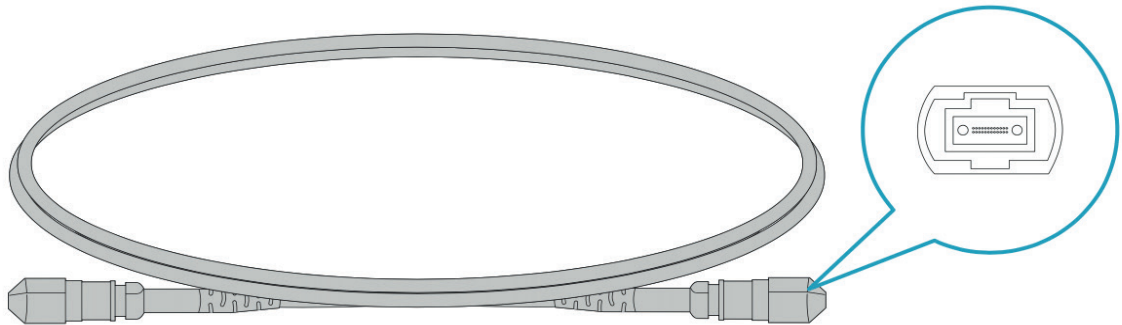
V 2.1

# 1

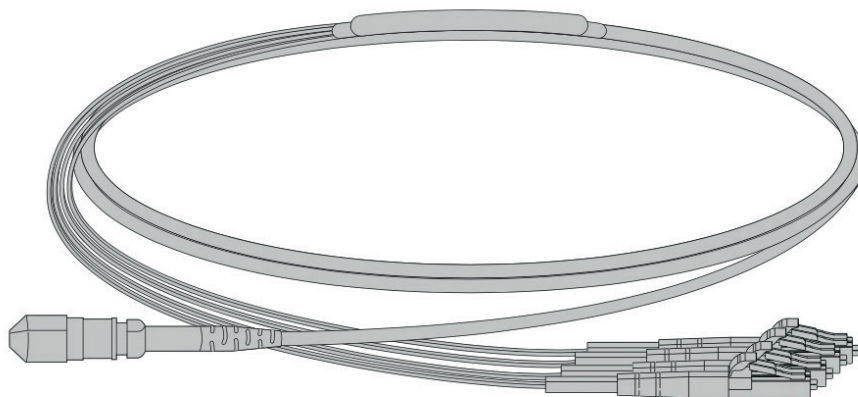
## Product View



MTP®/MPO Female 12 Fibers Trunk Cable

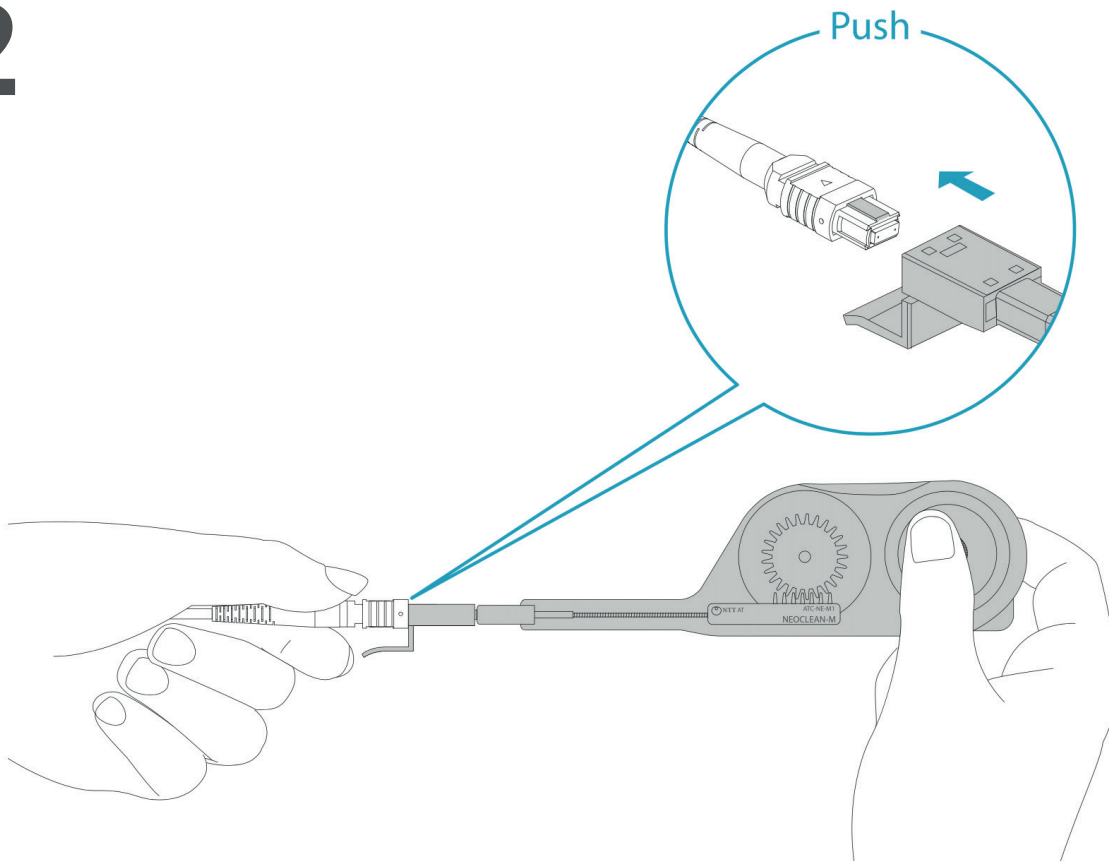


MTP®/MPO Female 24 Fibers Trunk Cable

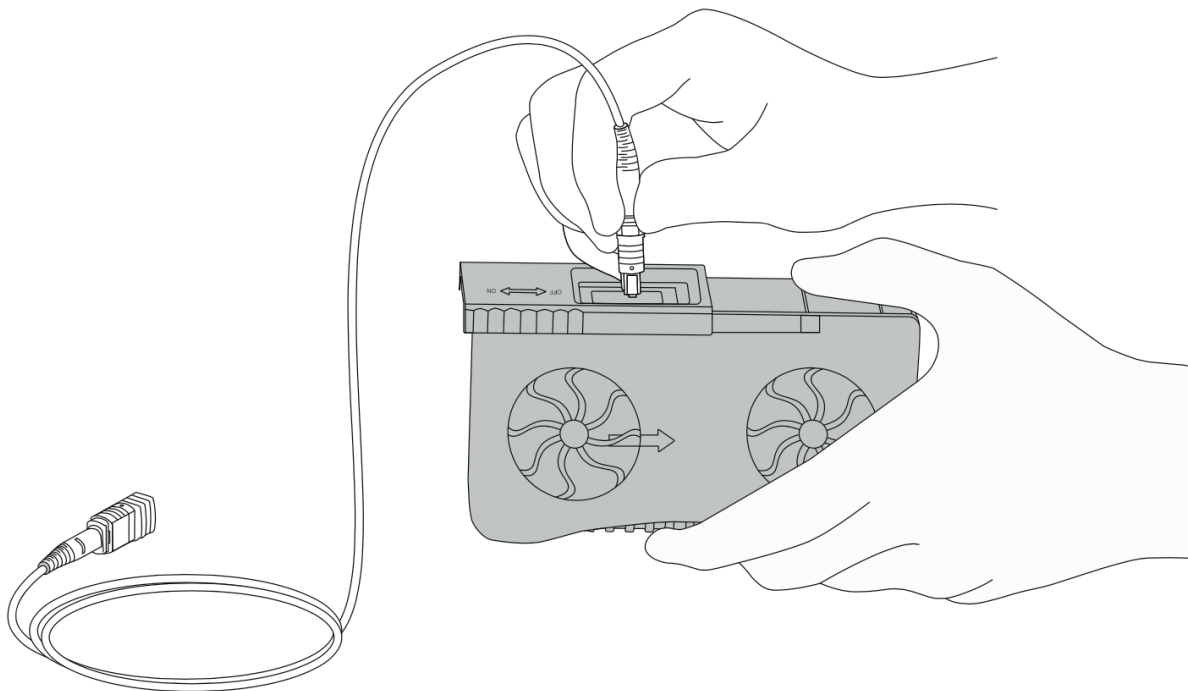


MTP®/MPO Female to LC Dublex 8 Fibers Harness

2



Clean MTP®/MPO connectors with NEOCLEAN-M Push Cleaner

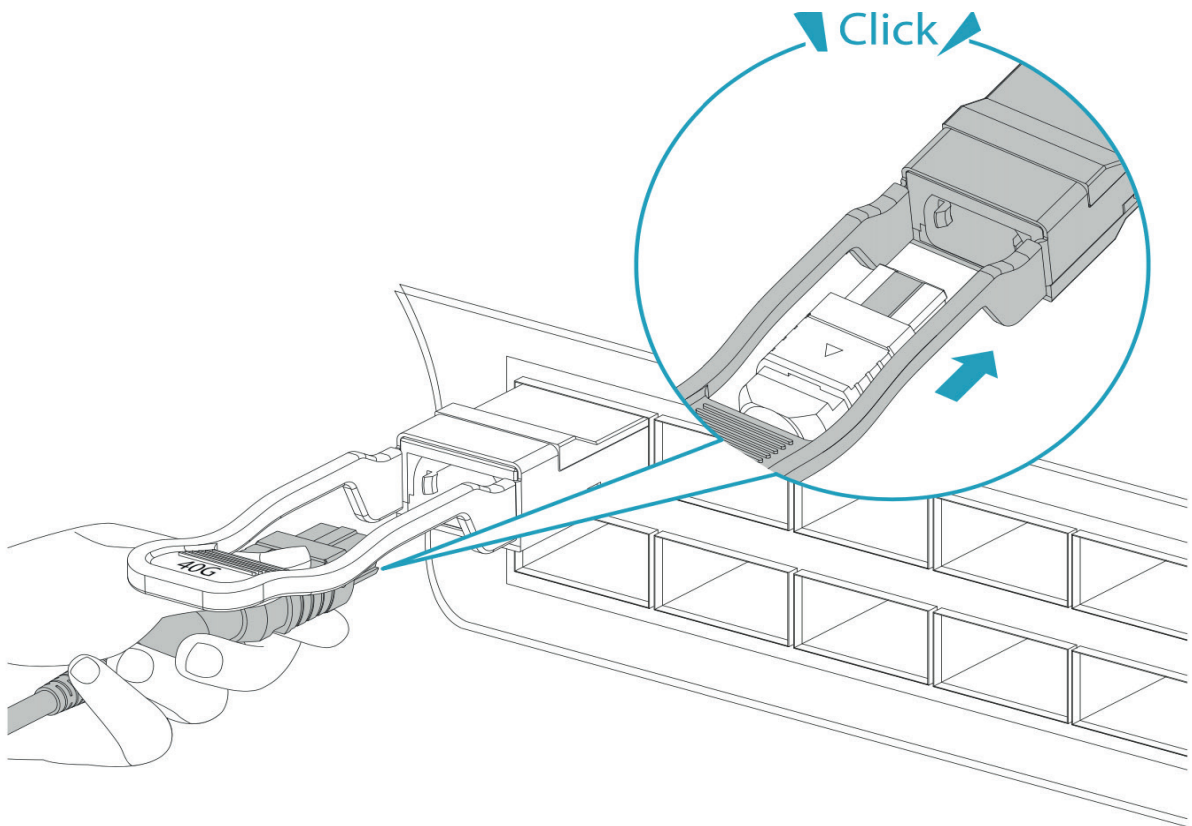


Clean MTP®/MPO connectors with CLE-BOX Fiber Optic Cleaner

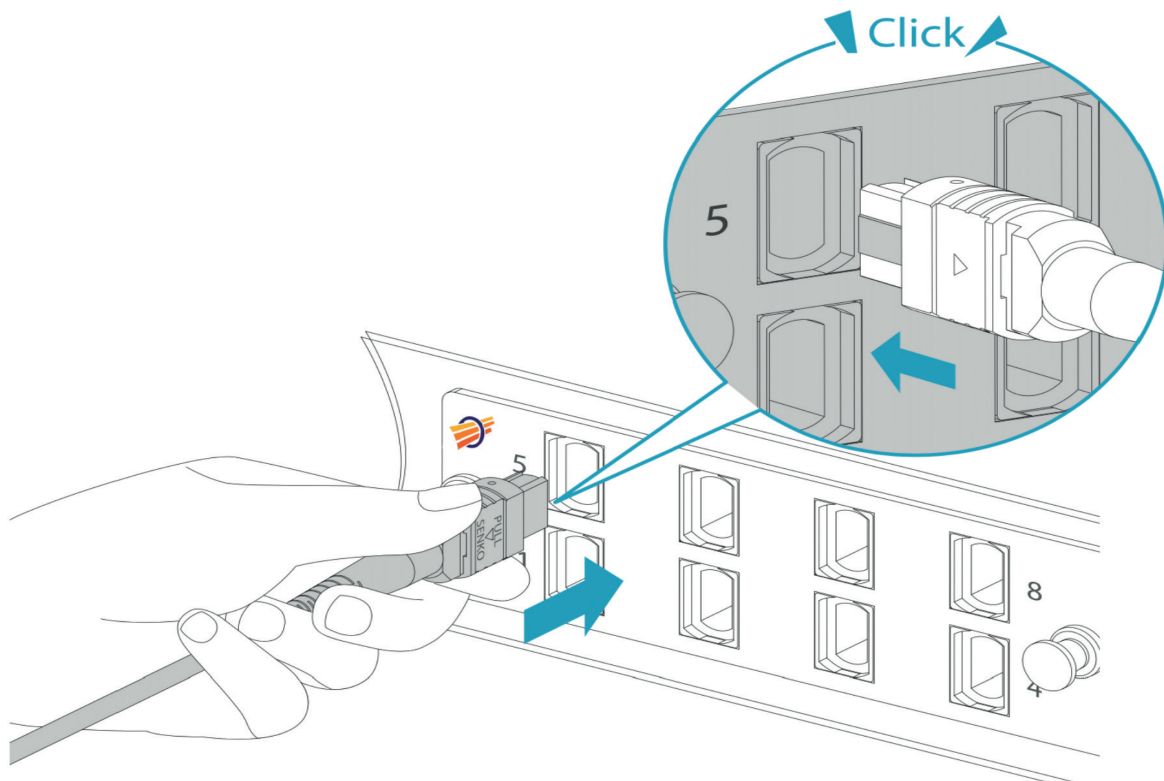


**3**

Insert the MTP®/MPO connector into Transceiver Module



**Note:** When installing, align the key on the connector body with the keyway on the transceiver.



**Note:** The female connectors is mated to the male side for panels connection

# 4

Connect the MTP®/MPO cable with MTP-LC Cassette

